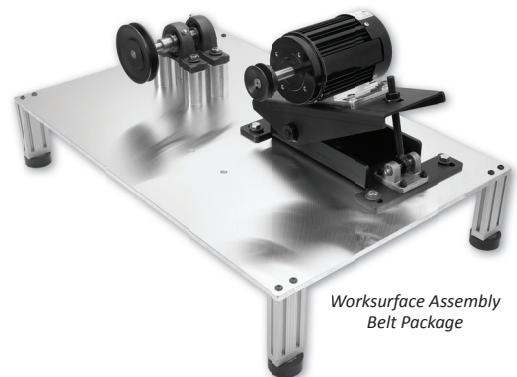


Mechanical Drives 1 Assessment Workstation

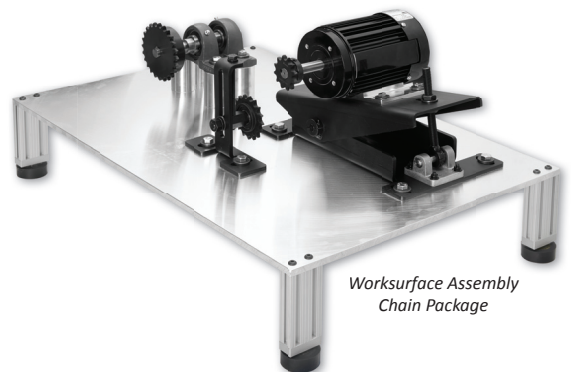
27-MEA1



27-MEA1



Worksurface Assembly
Belt Package



Worksurface Assembly
Chain Package

Technical Data

Complete technical specifications available upon request.

Mobile Bench (850-CTB-B)

Worksurface Assembly Chain Package

- 3/8 HP, 1700 RPM, 3-Phase Motor
- Adjustable Motor Mount
- Driver & Driven Sprockets
- Pillow Block Standoff Assembly
- Tensioner Assembly

Worksurface Assembly Belt Package

- 3/8 HP, 1700 RPM, 3-Phase Motor
- Adjustable Motor Mount
- Driver & Driven Sheaves
- Pillow Block Standoff Assembly

Supplemental Hardware Kit

- Variety of Fasteners
- Two Plastic Storage Containers

Assembly Parts Kit

- #40 Roller Chains
- #40 Master Links
- 16-Tooth Sprocket, 5/8" Bore
- 3" Sheave, 5/8" Bore
- 3/16" Keystock (24")
- 39" V-Belts, Type A37

Sheave & Sprocket Storage Tray

Part Storage Tray

Installation Guide (D21161)

Additional Requirements:

- Customer-Supplied Curriculum (Amatrol 970-ME1 or Similar)
- Hand Tool Package (41227)
- Computer (Visit www.amatrol.com/support/computer-requirements for details.)

Utilities Required:

- Electric (115 VAC/60 Hz/1 phase)

Whether you're an instructor teaching the next generation of industrial maintenance technicians or an employer trying to hire new mechanical maintenance workers, the same question needs to be asked of potential new hires: do they have the skills you need? Amatrol's Mechanical Drives 1 Assessment Workstation (27-MEA1) allows individuals to be evaluated on a variety of hands-on mechanical maintenance skills.

The 27-MEA1 features a variety of industrial-standard components, including 3-phase motors with adjustable mounts, sprockets, sheaves, fasteners, chains, and V-belts, all mounted on a mobile bench with convenient storage trays. The workstation makes it easy to assess the skills of potential hires in key areas of mechanical maintenance, such as electric motor operation and installation/adjustment of belt and chain drives.

